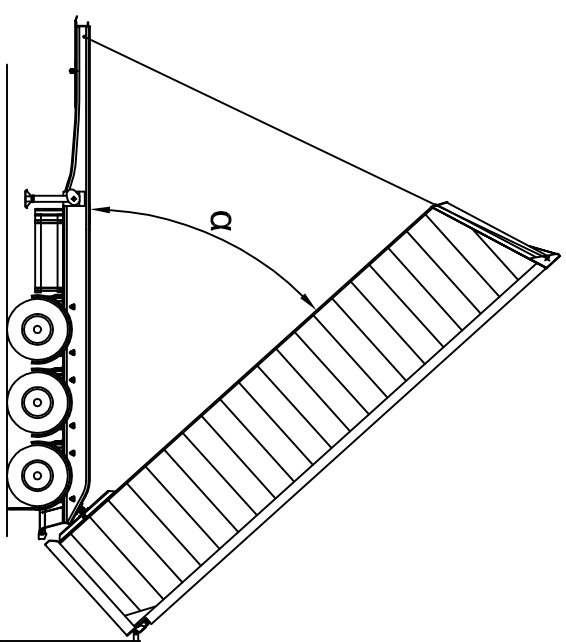
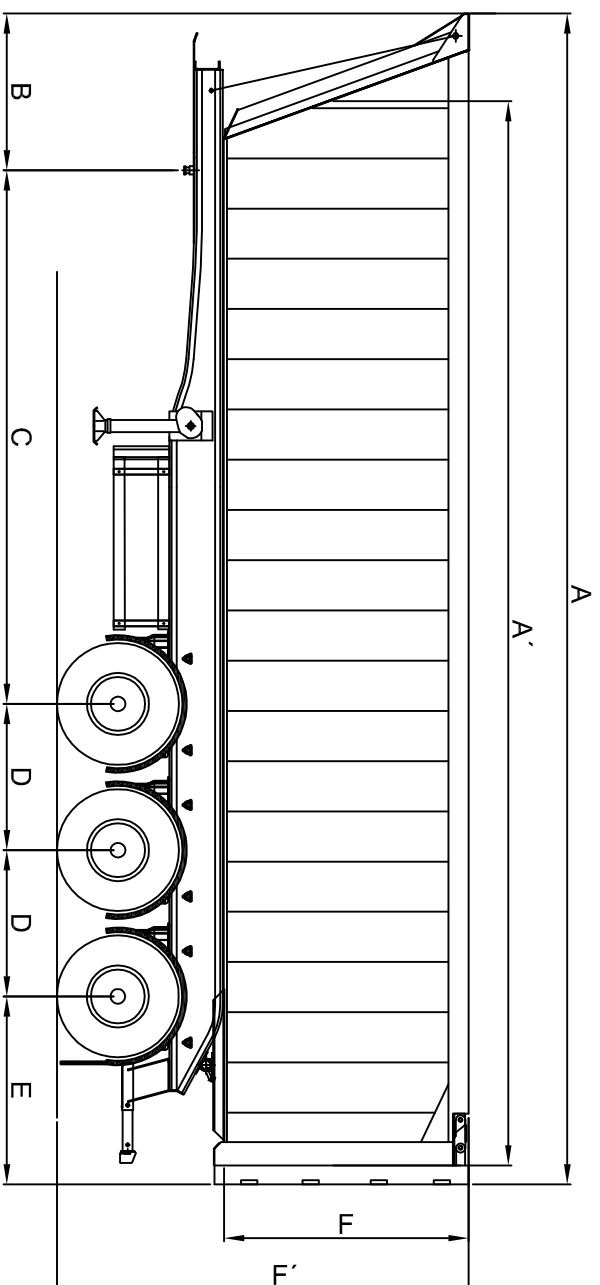


	A	A'	B	C	D	E	F	F'	α	m ³
G95I H1800 MIXTA	10351	9604	1436	4580	1310	1715	1800	3358	47°	40.8
G105I H1800 MIXTA	11301	10554	1336	5480	1310	1865	1800	3368	42	44.8



S111125-05