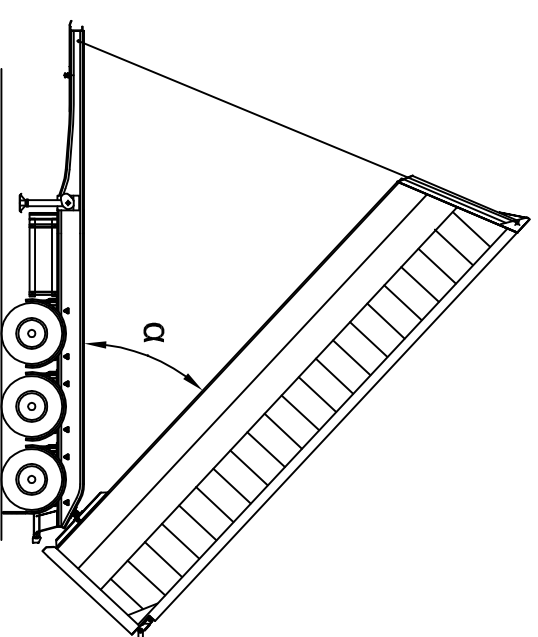
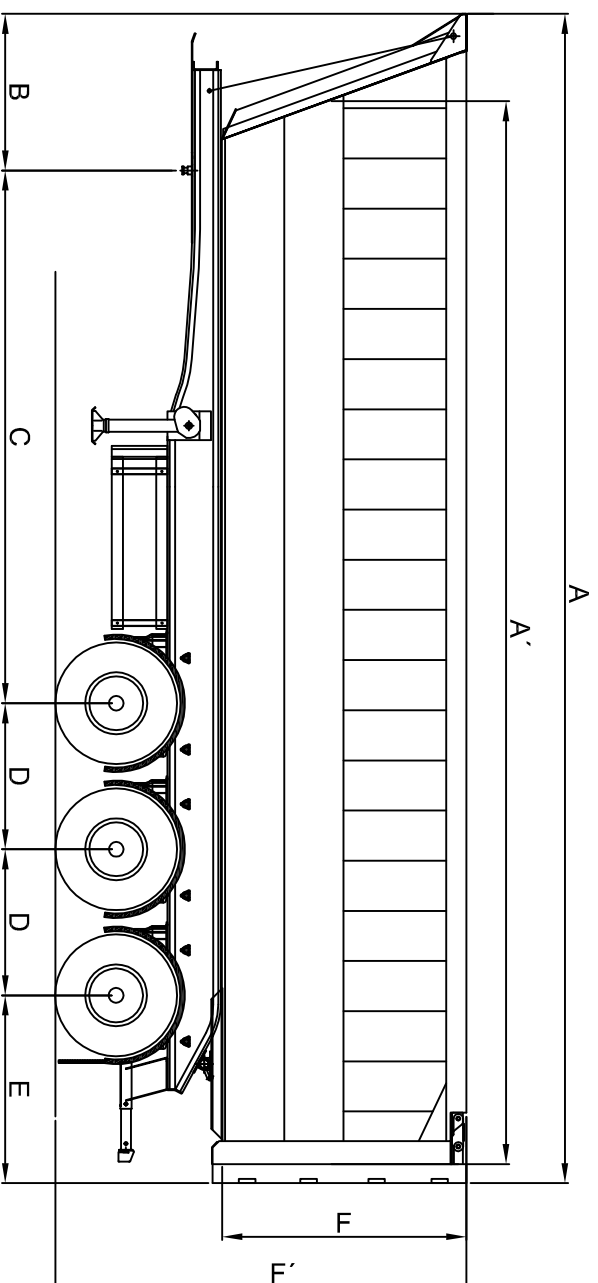


	A	A'	B	C	D	E	F	F'	$\alpha$	m <sup>3</sup>
G95I H1800 OMEGA	10351	9604	1436	4580	1310	1715	1800	3358	47°	39.7
G105I H1800 OMEGA	11301	10554	1336	5480	1310	1865	1800	3368	42°	43.6



S111125-04